

322 C 5201

THIRD ANGLE PROJECTION

DIMENSIONS IN INCHES UNLESS OTHERWISE STATED

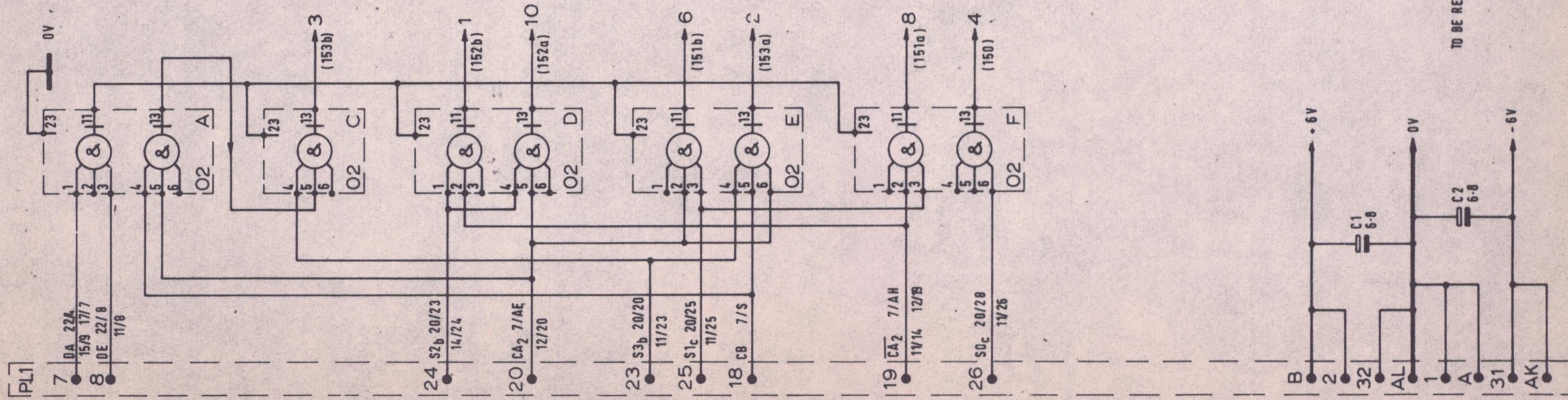
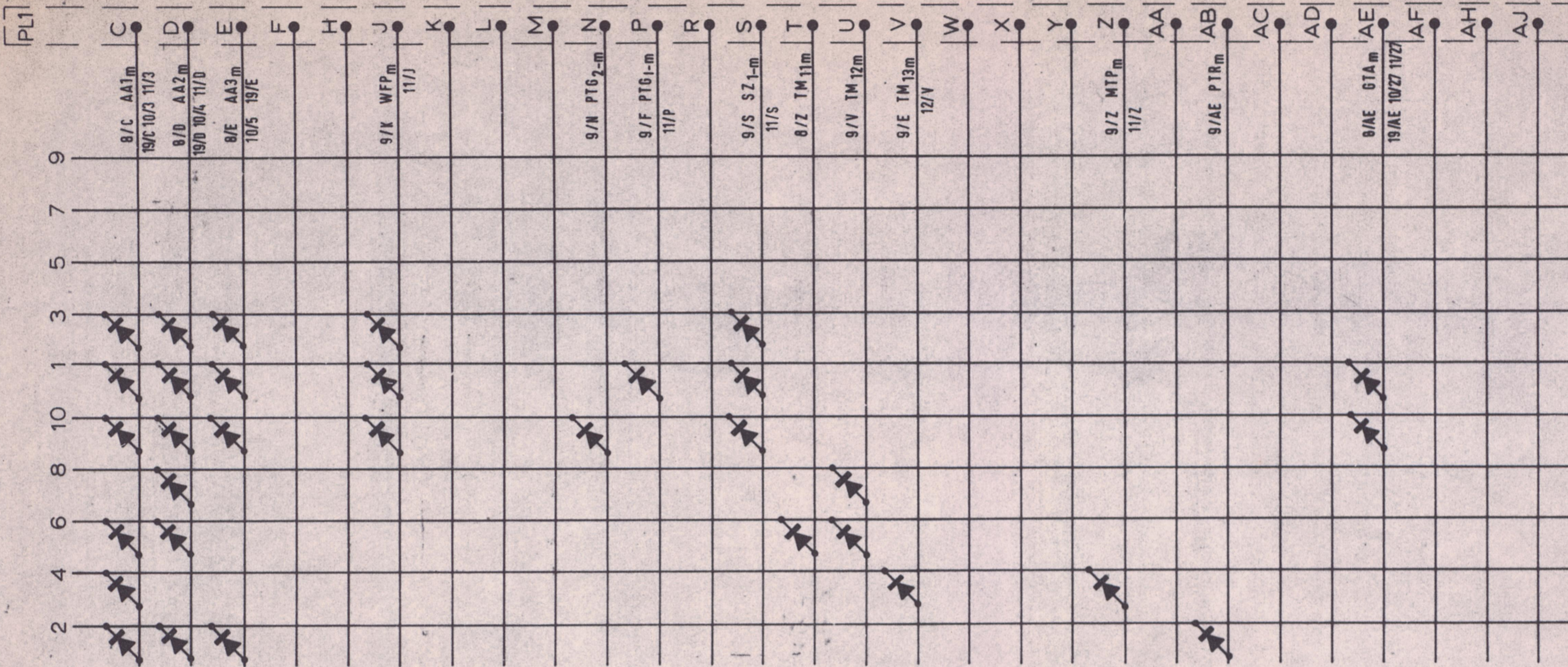
DO NOT SCALE DRAWING

USED ON
C 4071

36

TITLE:
BOARD A-GJ. POS.10
CONTROL MATRIX
FUNCTION 15

TO BE READ IN CONJUNCTION WITH 322A7191



LATEST MI INCORPORATED... MI 2088 2998

ISSUE No.	2
ALTERATION No.	1740
DATE	9.7.66.
INITIALS	S.N.
PARTS LIST No.	
DRAWN	S. NIBLETT
CHECKED	CS 639
APPROVED	[Signature]
DATE	7-11-66

MATERIAL _____ FINISH _____

© Elliott Brothers (London) Limited
THIS DRAWING IS THE PROPERTY OF
ELLIOTT BROTHERS (LONDON) LIMITED
AND MAY NOT BE COPIED, REPRODUCED OR
DISCLOSED FOR ANY PURPOSE EXCEPT
AS AUTHORIZED IN WRITING BY ELLIOTT
BROTHERS (LONDON) LIMITED

TOLERANCES
LINEAR
UNMACHINED SURFACES ±
MACHINED SURFACES ±
ANGULAR DIMENSIONS ±
UNLESS OTHERWISE STATED

ELLIOTT BROTHERS (LONDON) LTD

TITLE
BOARD A-GJ. POS.10
CONTROL MATRIX
FUNCTION 15

SCALE _____
DRAWING No.
322 C 5201